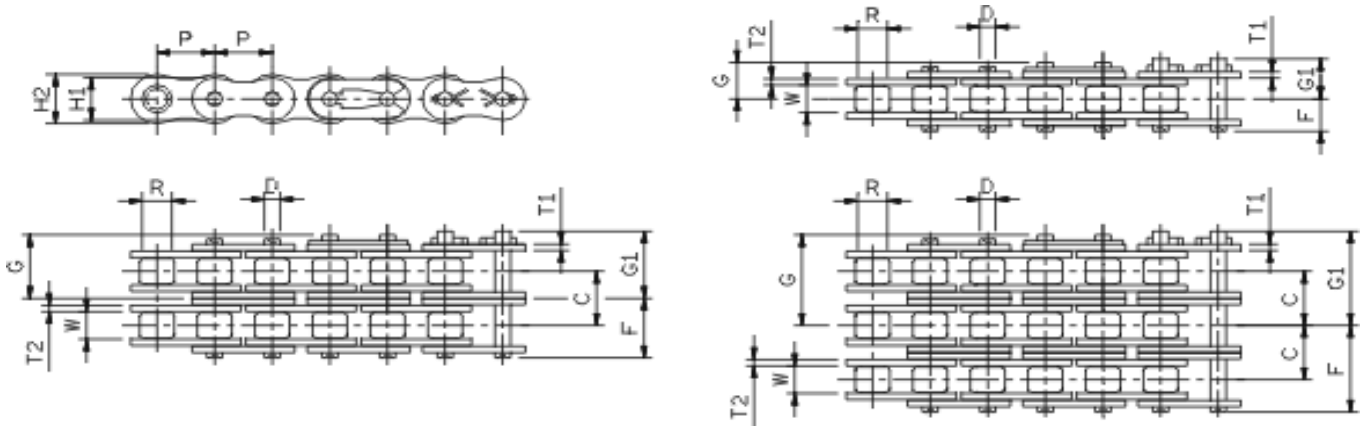


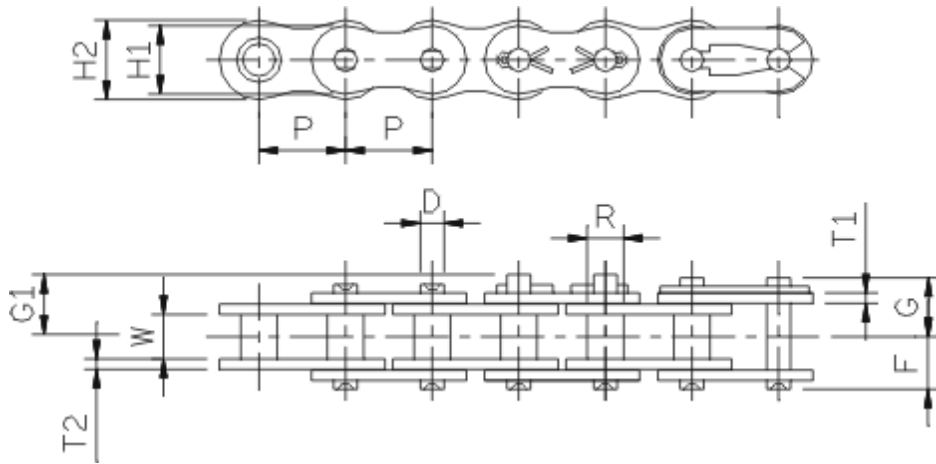
## ANSI STANDARD ROLLER CHAIN 美規標準鍊條



MAXTOP CHAIN NO.	Pitch		Width	Roller	Plate				Pin				Transverse Pitch	Average Ultimate Strength kgf	Approx Weight kg/m
	P		W	Dia	Height		Thickness		Dia	Lengths					
	inch	mm	mm	R	H1	H2	T1	T2	D	F	G	G1	C		
*25-1	1/4"	6.35	3.18	3.30	5.00	5.80	0.75	0.75	2.30	3.80	4.80	---	---	450	0.14
*25-2	1/4"	6.35	3.18	3.30	5.00	5.80	0.75	0.75	2.30	7.03	8.02	---	6.40	900	0.26
*25-3	1/4"	6.35	3.18	3.30	5.00	5.80	0.75	0.75	2.30	10.20	11.20	---	6.40	1350	0.40
*35-1	3/8"	9.525	4.76	5.08	7.60	9.00	1.20	1.20	3.59	5.80	7.00	7.60	---	1050	0.33
*35-2	3/8"	9.525	4.76	5.08	7.60	9.00	1.20	1.20	3.59	10.80	12.00	12.70	10.10	2100	0.69
*35-3	3/8"	9.525	4.76	5.08	7.60	9.00	1.20	1.20	3.59	15.90	17.10	17.40	10.10	3150	1.05
41	1/2"	12.70	6.35	7.77	8.50	9.70	1.20	1.20	3.58	6.60	7.95	8.50	---	1200	0.41
40-1	1/2"	12.70	7.94	7.92	10.20	11.80	1.50	1.50	3.96	8.20	9.35	10.00	---	1850	0.63
40-2	1/2"	12.70	7.94	7.92	10.20	11.80	1.50	1.50	3.96	15.30	17.00	17.60	14.40	3700	1.19
40-3	1/2"	12.70	7.94	7.92	10.20	11.80	1.50	1.50	3.96	22.65	23.80	24.55	14.40	5550	1.77
50-1	5/8"	15.875	9.53	10.16	13.00	14.80	2.00	2.00	5.06	10.10	11.65	12.60	---	3100	1.01
50-2	5/8"	15.875	9.53	10.16	13.00	14.80	2.00	2.00	5.06	19.20	20.70	21.10	18.10	6200	2.04
50-3	5/8"	15.875	9.53	10.16	13.00	14.80	2.00	2.00	5.06	28.30	29.65	30.20	18.10	9300	3.05
60-1	3/4"	19.05	12.70	11.91	15.50	17.50	2.40	2.40	5.95	12.50	14.15	15.40	---	4400	1.44
60-2	3/4"	19.05	12.70	11.91	15.50	17.50	2.40	2.40	5.95	24.00	25.50	26.90	22.80	8800	3.03
60-3	3/4"	19.05	12.70	11.91	15.50	17.50	2.40	2.40	5.95	35.35	36.95	37.65	22.80	13200	4.50
80-1	1"	25.40	15.88	15.88	20.40	24.00	3.10	3.10	7.94	16.10	17.75	18.80	---	7800	2.40
80-2	1"	25.40	15.88	15.88	20.40	24.00	3.10	3.10	7.94	30.60	32.20	33.60	29.30	15600	5.26
80-3	1"	25.40	15.88	15.88	20.40	24.00	3.10	3.10	7.94	45.30	47.00	48.00	29.30	23400	7.80
100-1	1-1/4"	31.75	19.05	19.05	24.80	30.10	3.90	3.90	9.52	20.10	---	23.10	---	11800	3.74
100-2	1-1/4"	31.75	19.05	19.05	24.80	30.10	3.90	3.90	9.52	38.00	---	41.00	35.80	23600	7.51
100-3	1-1/4"	31.75	19.05	19.05	24.80	30.10	3.90	3.90	9.52	55.90	---	58.90	35.80	35400	11.20
120-1	1-1/2"	38.10	25.40	22.23	30.00	35.00	4.70	4.70	11.10	25.20	---	28.60	---	15500	6.18
120-2	1-1/2"	38.10	25.40	22.23	30.00	35.00	4.70	4.70	11.10	47.90	---	51.30	45.40	31000	12.25
120-3	1-1/2"	38.10	25.40	22.23	30.00	35.00	4.70	4.70	11.10	70.60	---	74.00	45.40	46500	18.30
140-1	1-3/4"	44.45	25.40	25.40	36.20	42.00	5.60	5.60	12.70	27.30	---	31.50	---	21500	7.49
140-2	1-3/4"	44.45	25.40	25.40	36.20	42.00	5.60	5.60	12.70	51.75	---	55.75	48.90	43000	14.83

140-3	1-3/4"	44.45	25.40	25.40	36.20	42.00	5.60	5.60	12.70	76.20	---	80.40	48.90	64500	22.20
160-1	2"	50.80	31.75	28.58	41.40	48.00	6.40	6.40	14.28	32.55	---	37.25	---	27500	10.10
160-2	2"	50.80	31.75	28.58	41.40	48.00	6.40	6.40	14.28	61.80	---	66.50	58.50	55000	20.04
160-3	2"	50.80	31.75	28.58	41.40	48.00	6.40	6.40	14.28	91.05	---	95.75	58.50	82500	30.02
180-1	2-1/4"	57.15	35.71	35.71	46.70	54.20	7.20	7.20	17.45	36.50	---	42.20	---	36000	13.40
180-2	2-1/4"	57.15	35.71	35.71	46.70	54.20	7.20	7.20	17.45	69.42	---	75.12	65.84	72000	26.20
180-3	2-1/4"	57.15	35.71	35.71	46.70	54.20	7.20	7.20	17.45	102.34	---	108.04	65.84	108000	38.10
200-1	2-1/2"	63.50	38.10	39.68	51.80	60.10	8.00	8.00	19.84	39.75	---	47.10	---	46000	16.5
200-2	2-1/2"	63.50	38.10	39.68	51.80	60.10	8.00	8.00	19.84	75.55	---	82.85	71.60	92000	32.7
200-3	2-1/2"	63.50	38.10	39.68	51.80	60.10	8.00	8.00	19.84	111.35	---	118.65	71.60	138000	49.05
240-1	3"	76.20	47.63	47.60	62.40	72.20	9.50	9.50	23.80	47.70	---	54.80	---	68500	24.2
240-2	3"	76.20	47.63	47.60	62.40	72.20	9.50	9.50	23.80	91.60	---	98.70	87.80	137000	47.8
240-3	3"	76.20	47.63	47.60	62.40	72.20	9.50	9.50	23.80	135.50	---	142.60	87.80	205500	71.1

### ROLLERLESS CHAIN



MAXTOP CHAIN NO. (ANSI)	Pitch		Width W	Bush Dia R	Plate				Pin				Average Ultimate Strength kgf	Approx Weight kg/m
	P				Height H1	Thickness T1	Thickness T2	Dia D	Lengths					
	inch	mm	H2	F					G	G1				
45-1	1/2"	12.70	7.94	5.60	10.20	11.80	1.50	1.50	3.96	8.20	9.35	10.10	1850	0.53
55-1	5/8"	15.875	9.53	7.00	13.00	14.80	2.00	2.00	5.06	10.10	11.65	12.60	3100	0.83
65-1	3/4"	19.05	12.70	8.10	15.50	17.50	2.40	2.40	5.95	12.50	14.15	15.40	4400	1.20
85-1	1"	25.40	15.88	11.30	20.40	24.00	3.10	3.10	7.94	16.10	---	18.80	7800	2.20
105-1	1-1/4"	31.75	19.05	13.45	24.80	30.10	3.90	3.90	9.52	20.10	---	23.10	11800	3.30
125-1	1-1/2"	38.10	25.40	15.85	30.00	35.00	4.70	4.70	11.10	25.20	---	28.60	15500	4.82
145-1	1-3/4"	44.45	25.40	18.00	36.20	42.00	5.60	5.60	12.70	27.30	---	31.50	21500	7.35
165-1	2"	50.80	31.75	20.15	41.40	48.00	6.40	6.40	14.28	32.55	---	37.25	27500	9.42

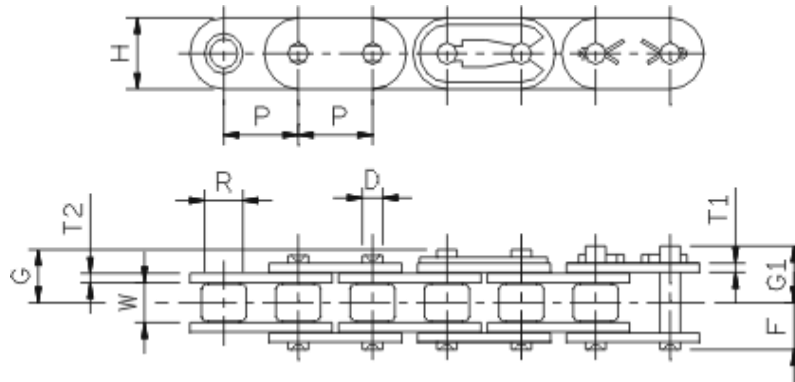
志明

手機:0927872155 歡迎電洽

E mail:ming690708@gmail.com

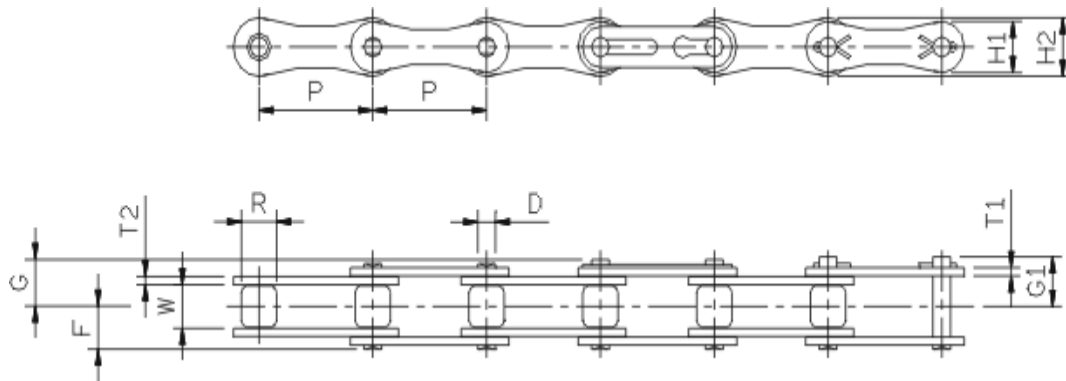
<http://goo.gl/N14M>

## STRAIGHT LINK PLATE CHAIN



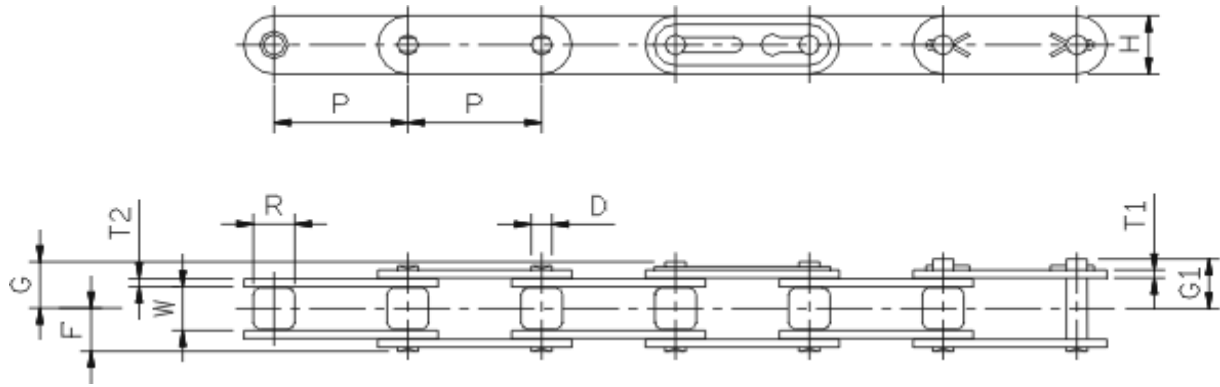
MAXTOP CHAIN NO. (ANSI)	Pitch		Width W	Roller Dia R	Plate			Pin				Average Ultimate Strength kgf	Approx Weight kg/m
	P				Height H	Thickness T1	Thickness T2	Dia D	Lengths				
	inch	mm	F	G					G1				
40F	1/2"	12.70	7.94	7.92	12.00	1.50	1.50	3.96	8.20	9.35	10.1	1850	0.65
50F	5/8"	15.875	9.53	10.16	15.00	2.00	2.00	5.06	10.10	11.65	12.6	3100	1.03
60F	3/4"	19.05	12.70	11.91	18.10	2.40	2.40	5.95	12.50	14.15	15.4	4400	1.46
80F	1"	25.40	15.88	15.88	24.00	3.10	3.10	7.94	16.10	---	18.80	7800	2.44
100F	1-1/4"	31.75	19.05	19.05	28.90	3.90	3.90	9.52	20.10	---	23.10	11800	4.31

## DOUBLE PITCH ROLLER CHAIN



MAXTOP CHAIN NO. (ANSI)	Pitch		Width W	Roller Dia R	Plate			Pin				Average Ultimate Strength kgf	Approx Weight kg/m	
	P				Height H1	Height H2	Thickness T1	Thickness T2	Dia D	Lengths				
	inch	mm	F	G						G1				
A2040	1"	25.40	7.94	7.92	10.10	11.70	1.50	1.50	3.96	8.20	9.35	10.10	1850	0.40
A2050	1-1/4"	31.75	9.53	10.16	12.60	14.60	2.00	2.00	5.06	10.10	11.65	12.60	3100	0.66
A2060	1-1/2"	38.10	12.70	11.91	15.00	17.10	2.40	2.40	5.95	12.50	14.15	15.40	4400	0.93

# DOUBLE PITCH ROLLER CHAIN



MAXTOP CHAIN NO. (ANSI)	Pitch		Width	Roller	Plate			Pin			Average Ultimate Strength kgf	Approx Weight kg/m	
	P		W	Dia	Height	Thickness	Dia	Lengths					
	inch	mm	mm	R	H	T1	T2	D	F	G			G1
C2040	1"	25.40	7.94	7.92	11.70	1.50	1.50	3.96	8.20	9.35	10.10	1850	0.49
C2050	1-1/4"	31.75	9.53	10.16	14.60	2.00	2.00	5.06	10.10	11.65	12.60	3100	0.84
C2060H	1-1/2"	38.10	12.70	11.91	17.10	3.10	3.10	5.95	14.10	15.70	16.60	4400	1.45
C2080H	2"	50.80	15.88	15.88	23.00	3.90	3.90	7.94	17.90	---	20.80	8000	2.41
C2100H	2-1/2"	63.50	19.05	19.05	28.90	4.70	4.70	9.52	21.70	---	24.90	12000	3.50
C2120H	3"	76.20	25.40	22.20	35.00	5.60	5.60	11.10	26.98	---	30.57	16000	6.00
C2160H	4"	101.60	31.75	28.58	48.00	7.20	7.20	14.28	34.15	---	38.85	27500	8.90

志明

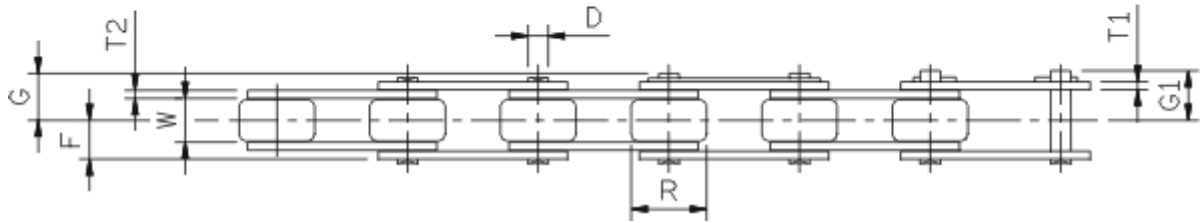
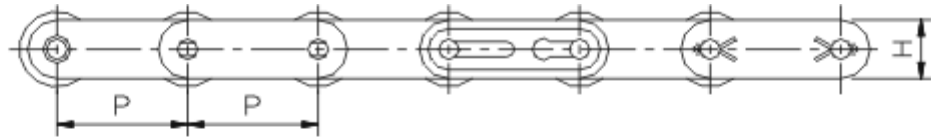
手機:0927872155 歡迎電洽  
24H 網路 FAX:07-7247299

E mail:ming690708@gmail.com

<http://goo.gl/N14M>

志明 24H 雲端硬碟

<http://goo.gl/Ard6>



MAXTOP CHAIN NO. (ANSI)	Pitch		Width W	Roller Dia R	Plate			Pin			Average Ultimate Strength kgf	Approx Weight kg/m	
	P				Height H	Thickness		Dia D	Lengths				
	inch	mm	T1	T2		F	G		G1				
C2042	1"	25.40	7.94	15.88	11.70	1.50	1.50	3.96	8.20	9.35	10.10	1850	0.86
C2052	1-1/4"	31.75	9.53	19.05	14.60	2.00	2.00	5.06	10.10	11.65	12.60	3100	1.32
C2062H	1-1/2"	38.10	12.70	22.23	17.10	3.10	3.10	5.95	14.10	15.70	16.60	4400	2.17
C2082H	2"	50.80	15.88	28.58	23.00	3.90	3.90	7.94	17.90	---	20.80	8000	2.87
C2102H	2-1/2"	63.50	19.05	39.67	28.90	4.70	4.70	9.52	21.70	---	24.90	12000	4.68
C2122H	3"	76.20	25.40	44.45	35.00	5.60	5.60	11.10	26.98	---	30.57	16000	8.00
C2162H	4"	101.60	31.75	57.15	48.00	7.20	7.20	14.28	34.15	---	38.85	27500	13.6

志明

手機:0927872155 歡迎電洽  
24H 網路 FAX:07-7247299

E mail:ming690708@gmail.com

<http://goo.gl/N14M>

志明 24H 雲端硬碟

<http://goo.gl/Ardr6>